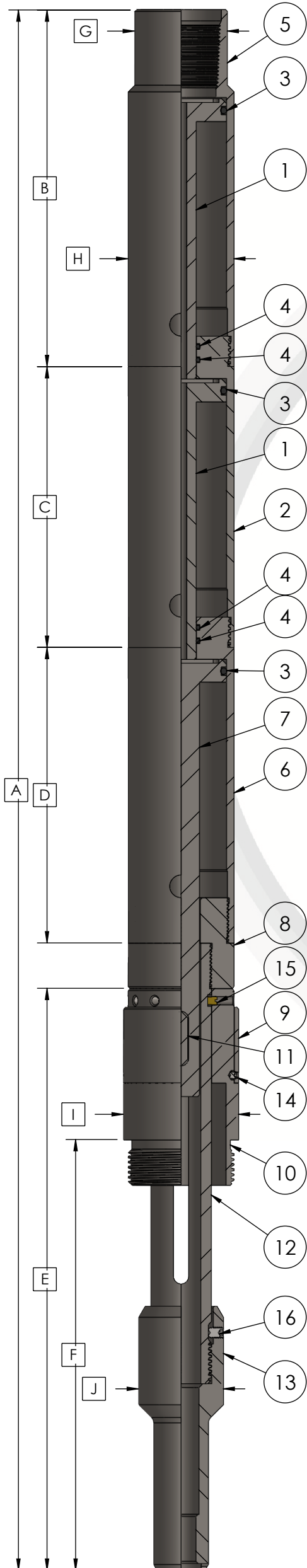




TECH UNIT
PRODUCT NO. 790-212xx
B120 HYDRAULIC SETTING TOOL

REVISED Dec/18/18
 REV. A



GENERAL SPECIFICATIONS				
ASSEMBLY NUMBER	STAGES	REQ'D PRESSURE (PSI) FOR SETTING FORCE (LB)		
		35K	45K	55K
790-21200	3 STAGE	1690	2175	2655
790-21203	4 STAGE	1270	1635	2000
790-21206	5 STAGE	1015	1300	1600

BILL OF MATERIALS		790-21200	790-21203	790-21206	PART NUMBER
ITEM	DESCRIPTION	3 STAGE	4 STAGE	5 STAGE	
1	INTENSIFIER PISTON	2	3	4	790-03520
2	MIDDLE PISTON HOUSING	1	2	3	790-03530
3	O-RING, NITRILE 90D	3	4	5	100-33490
4	O-RING, NITRILE 90D	4	6	8	100-21490

COMMON BILL OF MATERIALS			
ITEM	DESCRIPTION	QTY.	PART NUMBER
5	UPPER PISTON HOUSING	1	790-03510
6	LOWER PISTON HOUSING	1	790-03540
7	DRIVE PISTON	1	790-03550
8	LOWER CAP	1	790-04270
9	KEY RETAINER	1	790-04300
10	LOWER SLEEVE	1	790-04340
11	KEY	1	790-04310
12	KEY SLEEVE	1	790-04280
13	ADJUSTER SUB, BAKER 20	1	411-05080
14	SET SCREW	2	150-00603
15	SHEAR SCREW, BRASS	10	150-00805
16	SET SCREW	1	150-00601

DIMENSIONS			
	2 3/8" EUE B120		
	790-21200	790-21203	790-21206
	3 STAGE	4 STAGE	5 STAGE
A	51.578	60.858	70.138
B	11.790		
C	1X 9.280	2X 9.280	3X 9.280
D	9.770		
E	19.238		
F	14.238		
G	3.063		
H	3.500		
I	3.800		
J	2.800		

*790-21200 SHOWN