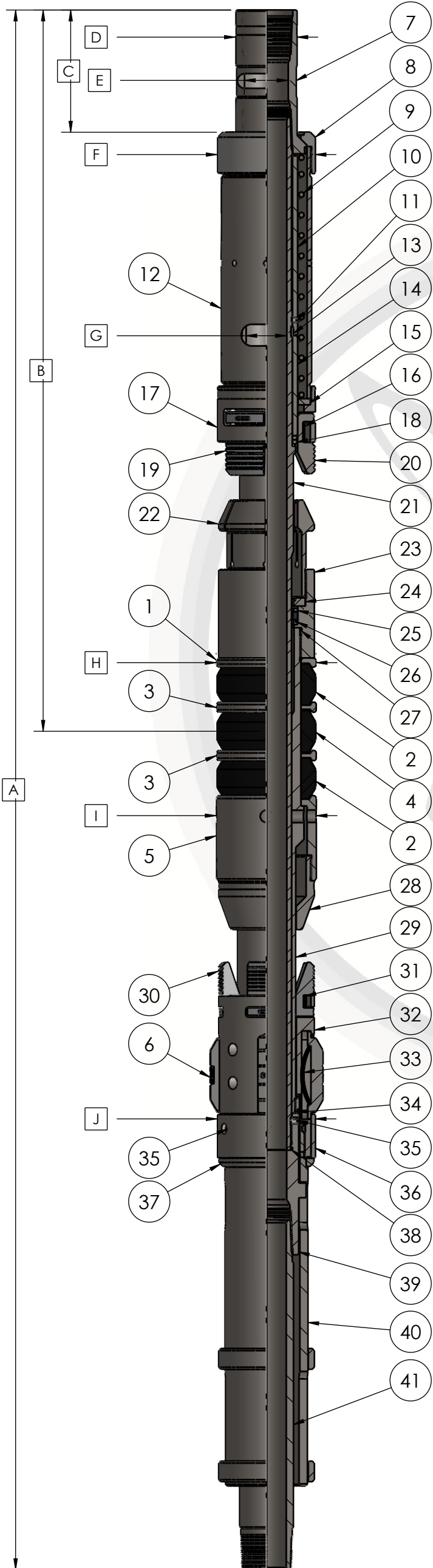




**TECH UNIT**  
**PRODUCT NO. 603-7x100-T**  
**7" x 2 7/8" AS1-X PACKER, 10K**

REVISED Mar/25/22  
 REV. B



\*603-72100 SHOWN

GENERAL SPECIFICATIONS				
ASSEMBLY NUMBER	PACKER	CASING	SETTING RANGE	RATING
	OD (in)	WEIGHT (lb/ft)	ID (in)	PRESSURE (ksi)
603-70100	5.870	26.0-32.0	6.094-6.276	10
603-72100	5.995	17.0-26.0	6.276-6.538	

BILL OF MATERIALS			603-70100 (26.0-32.0#)	603-72100 (17.0-26.0#)
ITEM	DESCRIPTION	QTY.	PART NUMBER	
1	GAUGE RING	1	600-70830	600-72830
2	ELEMENT	2	110-70513	110-72513
3	ELEMENT SPACER	2	600-70840	600-72840
4	ELEMENT	1	110-70511	110-72511
5	ELEMENT RETAINER	1	600-70850	600-72850
6	DRAG BLOCK	4	151-07001	151-08001

COMMON BILL OF MATERIALS			
ITEM	DESCRIPTION	QTY.	PART NUMBER
7	TOP SUB, 10K	1	601-70610
8	SPRING CAGE CAP, 10K	1	601-73810
9	FOLLOWER SPRING, 10K	1	601-73920
10	COVER SLEEVE, 10K	1	601-70106
11	SET SCREW	3	150-00607
12	SPRING CAGE, 10K	1	601-73325
13	SNAP RING, 10K	1	601-70102
14	SWIVEL SLEEVE, 10K	1	601-70100
15	SPRING RETAINING RING	1	601-73320
16	SPRING, UPPER SLIP	6	150-07902
17	SLIP CAGE, 10K	1	601-73324
18	BEARING RING, 10K	2	601-70103
19	UPPER SLIP	2	600-73115
20	RELEASING SLIP	1	600-73125
21	MAIN MANDREL, 10K	1	601-70210
22	UPPER CONE, 10K	1	601-70410
23	CENTRAL COUPLING	1	600-70620
24	BEARING BUSHING	1	600-70224
25	AS1-X/T-2 OVERSHOT SEAL	1	120-07002
26	O-RING, NITRILE 90D	1	100-15390
27	O-RING, NITRILE 90D	1	100-24290
28	LOWER CONE, 10K	1	601-70420
29	ELEMENT MANDREL, 7K	1	600-70220
30	LOWER SLIP	4	600-70135
31	SPRING, LOWER SLIP	8	150-07901
32	DRAG BLOCK BODY	1	600-70335
33	DRAG BLOCK SPRING	24	150-09901
34	ELEMENT MANDREL CAP	1	600-70230
35	SET SCREW	5	150-00609
36	DRAG BLOCK RETAINER	1	600-70910
37	RETAINING RING	1	600-70900
38	O-RING, NITRILE 90D	1	100-23390
39	BOTTOM SUB, 10K	1	601-70634
40	J-BODY, RH-RH, NO HOOK, 10K	1	601-70340
41	BOTTOM SUB NIPPLE, 10K	1	601-56636

DIMENSIONS		
	7" x 2 7/8"	
	5.870"	5.995"
A	93.635	
B	43.300	
C	7.335	
D	3.690	
E	2.625	

DIMENSIONS		
	7" x 2 7/8"	
	5.870"	5.995"
F	5.875	
G	2.440	
H	5.870	6.000
I	5.870	6.000
J	5.880	