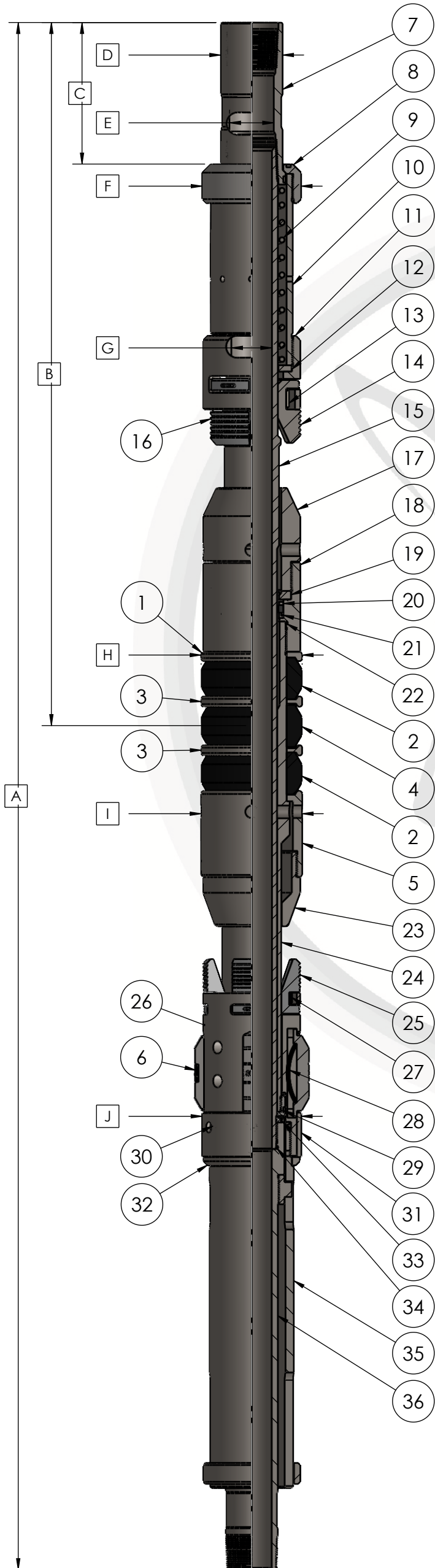




**TECH UNIT**  
**PRODUCT NO. 603-7x070-T**  
**7" x 2 7/8" AS1-X PACKER, 7K**

REVISED Mar/25/22  
 REV. B



\*603-70070 SHOWN

GENERAL SPECIFICATIONS				
ASSEMBLY NUMBER	PACKER	CASING	SETTING RANGE	RATING
	OD (in)	WEIGHT (lb/ft)	ID (in)	PRESSURE (ksi)
603-70070	5.870	26.0-32.0	6.094-6.276	7
603-72070	5.995	17.0-26.0	6.276-6.538	

BILL OF MATERIALS			603-70070 (26.0-32.0#)	603-72070 (17.0-26.0#)
ITEM	DESCRIPTION	QTY.	PART NUMBER	
1	GAUGE RING	1	600-70830	600-72830
2	ELEMENT	2	110-70513	110-72513
3	ELEMENT SPACER	2	600-70840	600-72840
4	ELEMENT	1	110-70511	110-72511
5	ELEMENT RETAINER	1	600-70850	600-72850
6	DRAG BLOCK	4	151-07001	151-08001

COMMON BILL OF MATERIALS			
ITEM	DESCRIPTION	QTY.	PART NUMBER
7	TOP SUB, 7K	1	600-56610
8	SPRING CAGE CAP	1	600-70810
9	FOLLOWER SPRING	1	600-70920
10	SPRING CAGE	1	600-70325
11	SLIP CAGE, 7K	1	600-70324
12	SPRING RETAINING RING	1	600-70320
13	SPRING, UPPER SLIP	6	150-07902
14	RELEASING SLIP	1	600-70125
15	MAIN MANDREL, 7K	1	600-70210
16	UPPER SLIP	2	600-70115
17	UPPER CONE, 7K	1	600-70410
18	CENTRAL COUPLING	1	600-70620
19	BEARING BUSHING	1	600-70224
20	AS1-X/T-2 OVERSHOT SEAL	1	120-07002
21	O-RING, NITRILE 90D	1	100-15390
22	O-RING, NITRILE 90D	1	100-24290
23	LOWER CONE, 7K	1	600-70420
24	ELEMENT MANDREL, 7K	1	600-70220
25	LOWER SLIP	4	600-70135
26	DRAG BLOCK BODY	1	600-70335
27	SPRING, LOWER SLIP	8	150-07901
28	DRAG BLOCK SPRING	24	150-09901
29	ELEMENT MANDREL CAP	1	600-70230
30	SET SCREW	3	150-00609
31	DRAG BLOCK RETAINER	1	600-70910
32	RETAINING RING	1	600-70900
33	SET SCREW	2	150-00607
34	O-RING, NITRILE 90D	1	100-23390
35	J-BODY, RH-RH, NO HOOK, 7K	1	600-70340
36	BOTTOM SUB ASSEMBLY, 7K	1	600-70650

	DIMENSIONS	
	7" x 2 7/8"	
	5.870"	5.995"
A	91.950	
B	41.785	
C	8.414	
D	3.668	
E	2.625	

	DIMENSIONS	
	7" x 2 7/8"	
	5.870"	5.995"
F	5.870	
G	2.400	
H	5.870	6.000
I	5.870	6.000
J	5.880	