



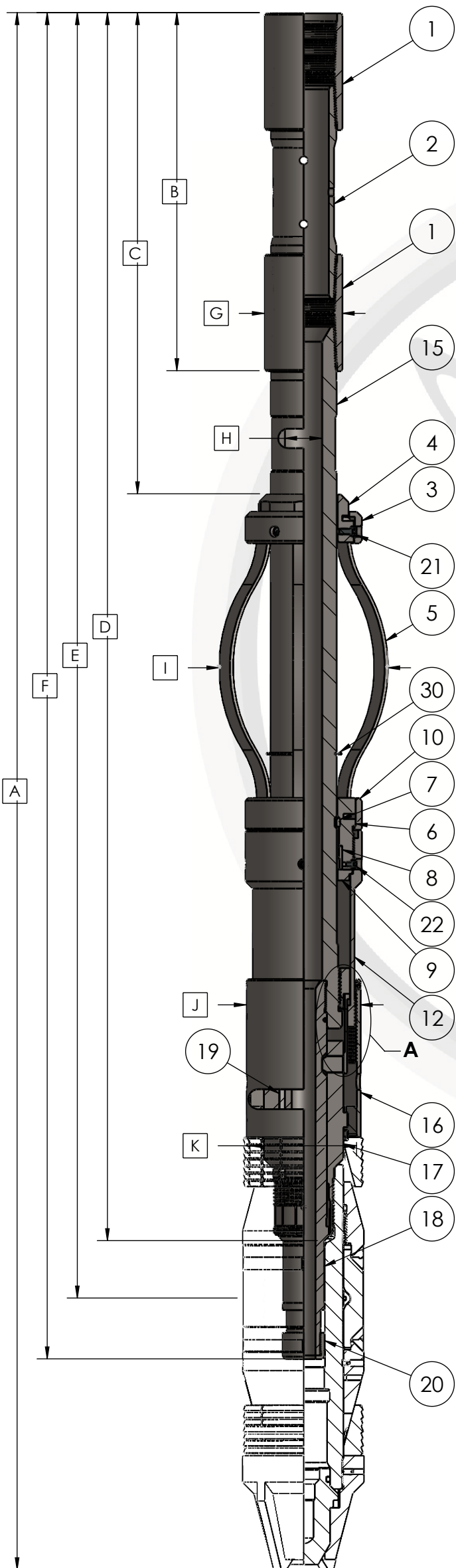
TECH UNIT
PRODUCT NO. 405-70215-T
BOW SPRING MECHANICAL SETTING TOOL FOR BRIDGE PLUGS

REVISED Oct/13/20
 REV. A

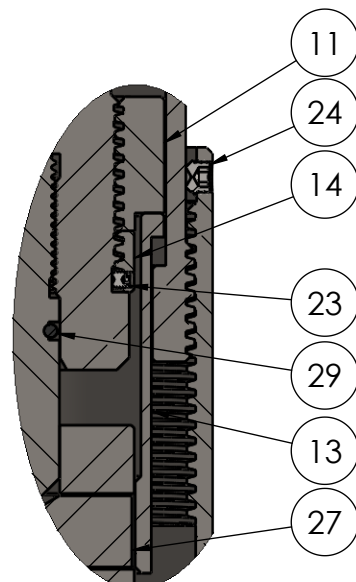
GENERAL SPECIFICATIONS				
ASSEMBLY NUMBER	CASING		SETTING RANGE	USED ON
	OD (in)	WEIGHT (lb/ft)	ID (in)	
405-70215	7.000	17.0-35.0	6.004-6.538	402-70200

BILL OF MATERIALS			
ITEM	DESCRIPTION	QTY.	PART NUMBER
1	COUPLING	2	201-27101
2	PUP JOINT	1	211-27510
3	UPPER DRAG RING	1	405-06320
4	UPPER DRAG COLLAR	1	405-06310
5	DRAG SPRING, #30	6	405-07330
6	LOWER DRAG COLLAR	1	405-06350
7	SNAP RING	1	405-06380
8	DRAG COLLAR INSERT	1	405-06370
9	RETAINING WASHER	1	405-06390
10	LOWER DRAG RING	1	405-06340
11	CONTROL NUT	1	405-06040
12	CONTROL SLEEVE	1	405-06030
13	RETAINING SLEEVE	1	405-06070
14	CONTROL NUT CLUTCH	1	405-06050
15	MANDREL	1	405-06360
16	SETTING SLEEVE	1	405-07200
17	CONTROL LATCH	1	405-06080
18	STINGER SUB BODY	1	405-06090
19	KEY	1	405-04100
20	STINGER	1	405-07110
21	DRAG COLLAR CAP SCREW	3	405-00700
22	SOCKET HEAD CAP SCREW	4	150-00702
23	SET SCREW	3	150-00627
24	SET SCREW	2	150-00626
25	SET SCREW	2	150-00625
26	PIN	2	150-01003
27	DOG	1	405-06150
28	DOG SPRING	2	150-06790
29	O-RING, NITRILE 90D	1	100-22590
30	EXTERNAL RETAINING RING	1	150-02003

**ITEMS (25), (26), (28) NOT SHOWN



*405-70215 SHOWN, WITH 402-70200



DETAIL A
 SCALE 1 : 2

DIMENSIONS	
	7"
	405-70215
	17.0-35.0#
A	73.236
B	16.839
C	22.630
D	57.758
E	60.456
F	63.318
G	3.668
H	1.750
I	8.605
J	5.370
K	5.020