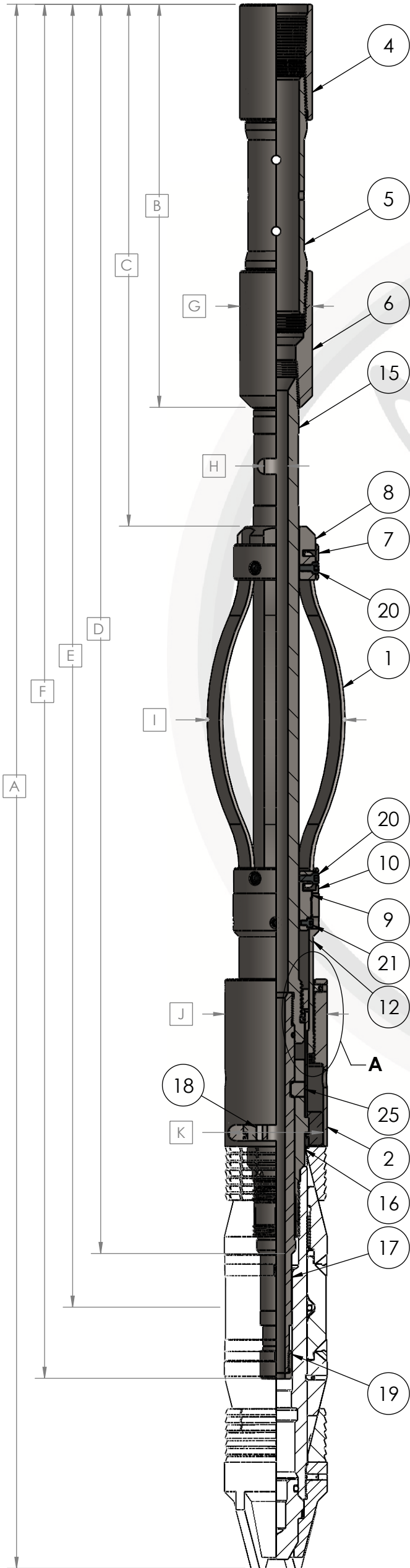




TECH UNIT
PRODUCT NO. 405-5x215-T
BOW SPRING MECHANICAL SETTING TOOL FOR BRIDGE PLUGS

REVISED Oct-19-20
 REV. A

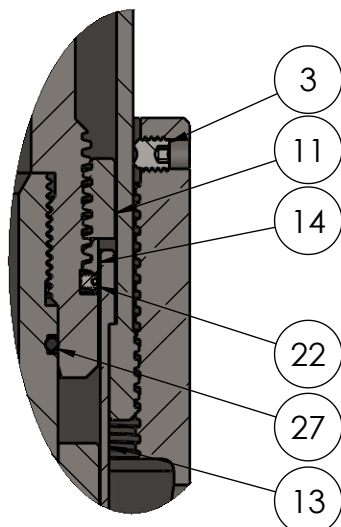


GENERAL SPECIFICATIONS				
ASSEMBLY NUMBER	CASING		SETTING RANGE	USED ON
	OD (in)	WEIGHT (lb/ft)	ID (in)	
405-45215	4.500	9.5-15.1	3.826-4.090	402-45200
405-50215	5.000	11.5-20.8	4.156-4.560	402-50200
405-55215	5.500	13.0-23.0	4.670-5.044	402-55200

BILL OF MATERIALS			405-45215 (9.5-15.1#)	405-50215 (11.5-20.8#)	405-55215 (13.0-23.0#)
ITEM	DESCRIPTION	QTY.	PART NUMBER		
1	DRAG SPRING	6	405-04330		
2	SETTING SLEEVE	1	405-04200	405-04700	405-05200
3	SET SCREW	2	150-00626		

COMMON BILL OF MATERIALS			
ITEM	DESCRIPTION	QTY.	PART NUMBER
4	COUPLING	1	201-23101
5	PUP JOINT	1	211-23510
6	TOP SUB	1	405-00230
7	UPPER DRAG RING	1	405-04320
8	UPPER DRAG COLLAR	1	405-04310
9	LOWER DRAG COLLAR	1	405-04350
10	LOWER DRAG RING	1	405-04340
11	CONTROL NUT	1	405-04040
12	CONTROL SLEEVE	1	405-04030
13	RETAINING SLEEVE	1	405-04070
14	CONTROL NUT CLUTCH	1	405-04050
15	MANDREL	1	405-04360
16	CONTROL LATCH	1	405-04080
17	STINGER SUB BODY	1	405-04090
18	KEY	1	405-04100
19	STINGER	1	405-04610
20	DRAG COLLAR CAP SCREW	6	405-00700
21	SOCKET HEAD CAP SCREW	4	150-00702
22	SET SCREW	3	150-00627
23	SET SCREW	2	150-00625
24	PIN	2	150-01003
25	DOG	1	405-04150
26	DOG SPRING	2	150-05790
27	O-RING, NITRILE 90D	1	100-21990

**ITEMS (23), (24), (26) NOT SHOWN



DETAIL A
SCALE 1 : 2

DIMENSIONS			
	4 1/2" 405-45215 9.5-15.1#	5" 405-50215 11.5-20.8#	5 1/2" 405-55215 13.0-23.0#
A	65.825		
B	16.964		
C	21.965		
D	52.575		
E	54.834		
F	57.828		
G	3.063		
H	1.000		
I	5.223		6.124
J	3.580	3.940	4.310
K	3.265		3.975

*405-55215 SHOWN, WITH 402-55200