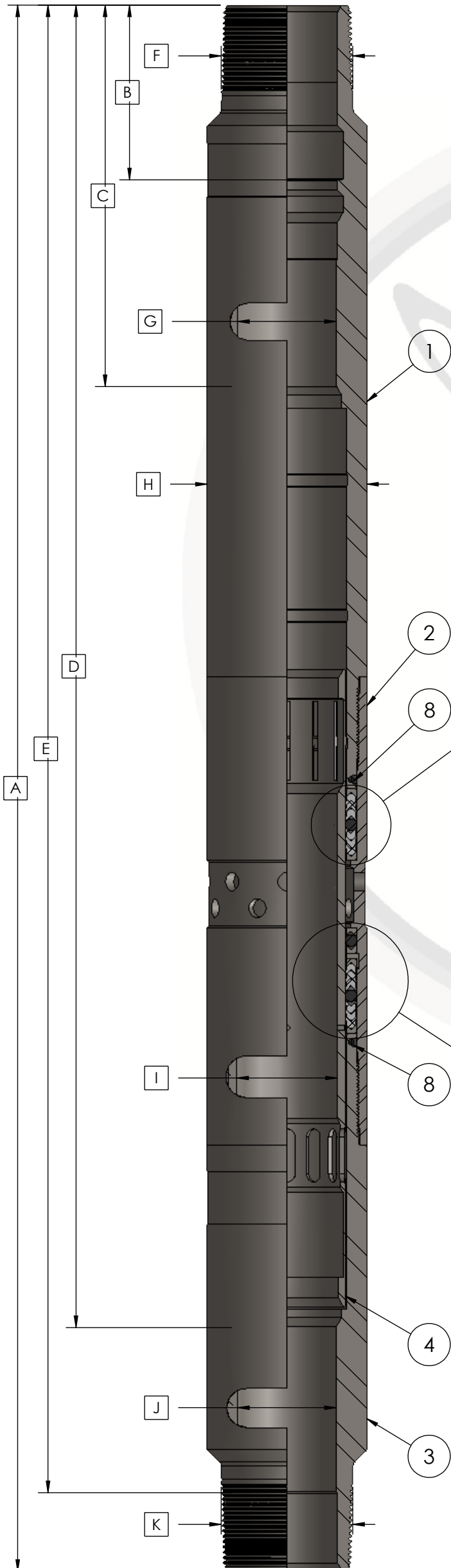




TECH UNIT
PRODUCT NO. 322-23001-T
2.31" x 2 7/8" EUE PxP SXA SLIDING SLEEVE

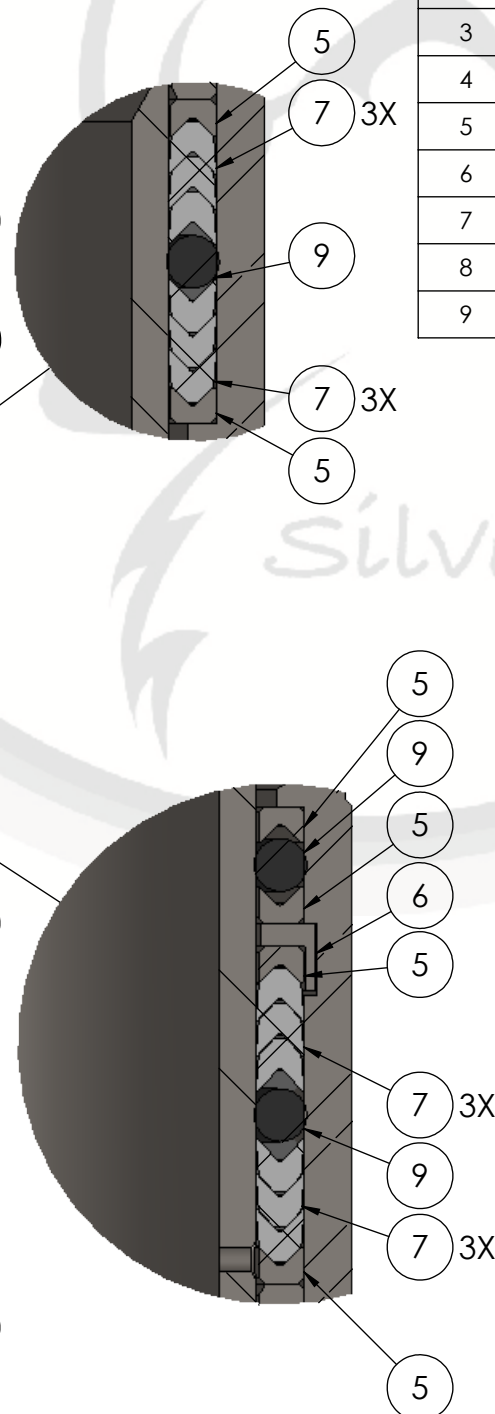
REVISED Aug/10/17
 REV. A



FEATURES A NIPPLE PROFILE ABOVE AND A PACKING BORE BELOW THE COMMUNICATION PORTS
 A MODEL "B" SHIFTING TOOL IS USED TO OPEN (SHIFT UP) OR CLOSE (SHIFT DOWN) THE INNER SLEEVE

GENERAL SPECIFICATIONS				
ASSEMBLY NUMBER	SEAL BORE	INNER SLEEVE	COMMUNICATION PORTS	RATING
	ID (in)	ID (in)	AREA (sq. in)	PRESSURE (ksi)
322-23001	2.32	2.36	2.41	6

BILL OF MATERIALS			
ITEM	DESCRIPTION	QTY.	PART NUMBER
1	TOP SUB	1	320-02301
2	MIDDLE HOUSING	1	320-01120
3	BOTTOM SUB	1	320-02350
4	INNER SLEEVE	1	320-01221
5	FEMALE ADAPTOR RING	6	320-04012
6	SPLIT RING SETS	1	320-04803
7	MOLYGLASS VEE SEAL	12	130-00278
8	O-RING, NITRILE 90D	2	100-23390
9	O-RING, NITRILE 90D	3	100-41190



DIMENSIONS	
	2.31" SXA 2 7/8" EUE PxP 322-23001
A	36.80
B	4.10
C	8.96
D	31.07
E	34.95
F	2 7/8" EUE
G	2.32
H	3.75
I	2.36
J	2.32
K	2 7/8" EUE